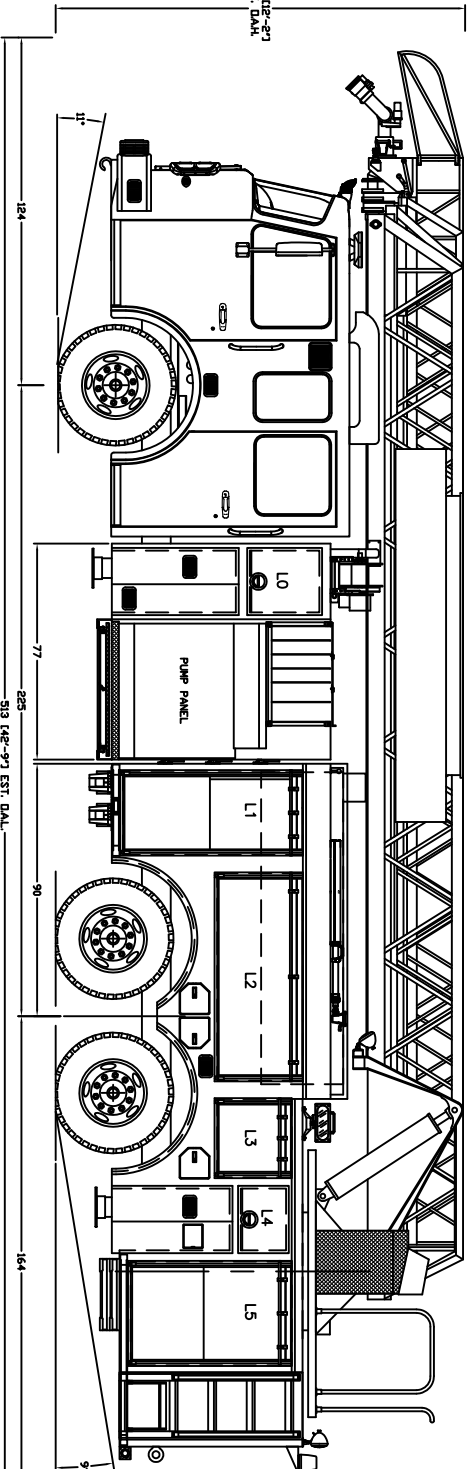
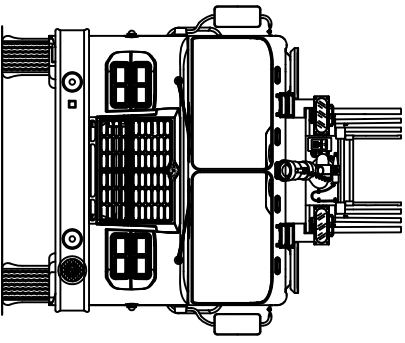
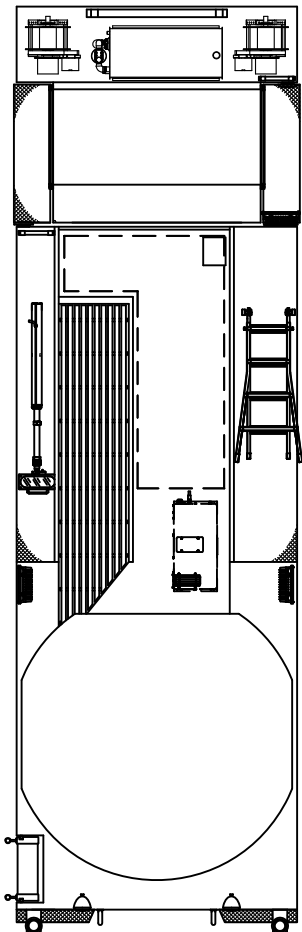
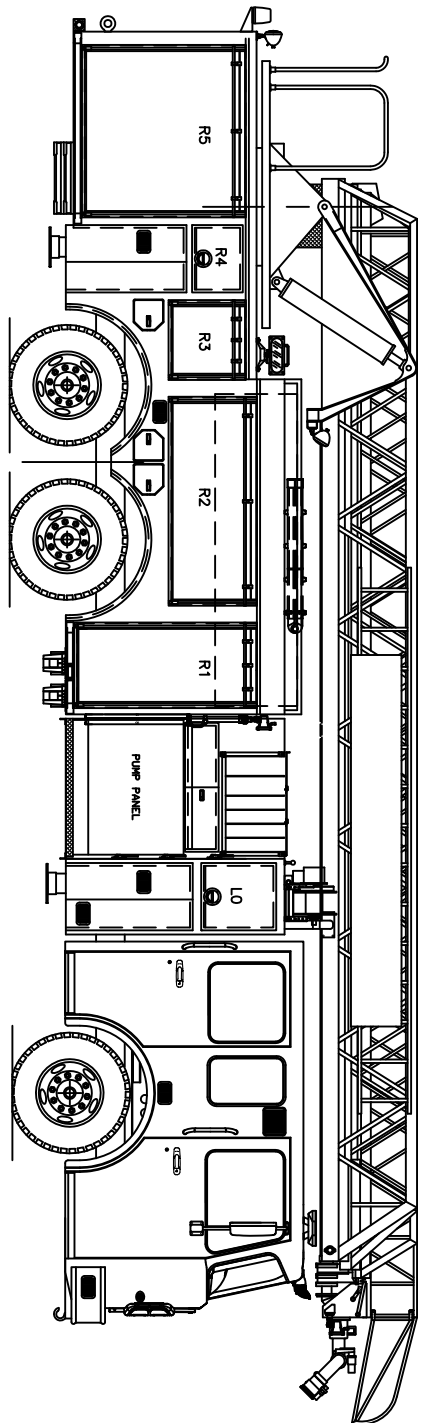


ITEM/LADDER LENGTH	MODEL	QTY
A 35' 2 SEC	1200A	2
B 28' 2 SEC	1200A	1
C 24' 2 SEC	900A	1
D 20' ROOF	875A	1
E 16' ROOF	875A	1
F 10' ATTIC	585A	1
G 4' D-HANDLE	FP4D	2
H 6' PIKE POLE	FP6	2
I 8' PIKE POLE	FP8	2

COMP.	OPENING	WATER	DEPTH	LENGTH
L0	22V x 24H	22	-	-
L1	27V x 29H	14	22	-
L2	27V x 29H	14	-	-
L3	29V x 21H	14	-	-
L4	29V x 19H	13	-	-
L5	34V x 51H	14	22	-
R0	22V x 24H	22	-	-
R1	27V x 29H	22	-	-
R2	27V x 29H	22	-	-
R3	29V x 21H	22	-	-
R4	29V x 19H	21	-	-
R5	38V x 51H	22	22	-
INTERMEDIATE DIVIDE HEIGHT				
L1	30	L5	25	1/2



NOTE:
DIMENSIONS SHOWN ARE APPROXIMATE AND ARE SUBJECT TO CHANGE AS MAY BE FOUND NECESSARY DURING CONSTRUCTION. KINDER DETAILS MAY NOT BE SHOWN.
THE DRAWING IS FOR REFERENCE PURPOSES ONLY. SOME ITEMS MAY OR MAY NOT APPEAR AS THE DRAWING. THE FINAL AUTHORITY TO BE DETERMINED WHAT IS SUPPLIED ON THE APPARATUS.

CHASSIS: SIRIUS WFD FLAT ROOF
WATER TANK: 350 GAL.
HOSE LOAD: 1000' DF 3"
GENERATOR: DMM 10KVA

**PRELIMINARY
DRAFT**

Date	Approval Signatures	Revisions

DRAWN BY: JJJ
CHECKED BY: 3/8/17
DATE: 05/25/10

SMEAL FIRE APPARATUS
SNEYER, NE 68664
SOUTHWEST GREENSBURG VFD
GREENSBURG, PA

SMCAL
ME MILLS FERRISCOIT

18 x 24 BID